

280 AG series

x280x80mm



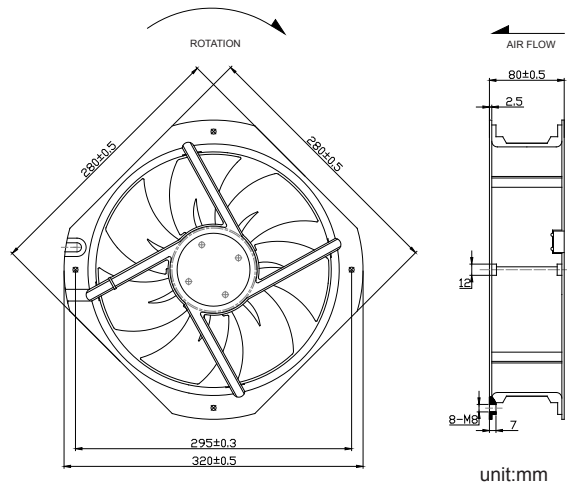
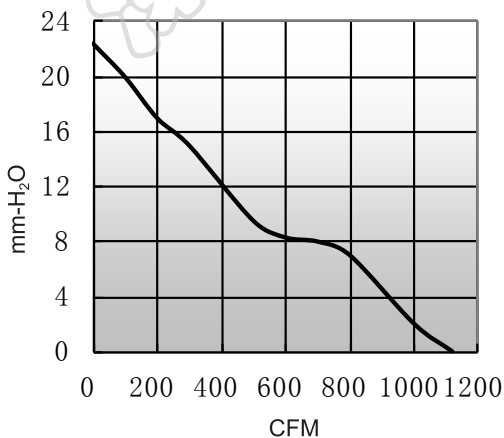
General Specifications

- Motor : 6 Poles brushless DC motor
- Frame & Impeller : Metal
- Storage temperature : -40° to +75°
- Operating temperature : -10° to +70°

Major Characteristic Parameters

Model	*Bearing System	Rated Voltage	Operating Voltage Range	Rated Current	Rated Speed	Maximum Air Flow		Maximum Static Pressure		Sound Level	Weight
Part NO.	B / S / F	V	V	A	RPM	m ³ /min	CFM	mm-H ₂ O	In-H ₂ O	dBA	g
AGE28080B24M	B	24	14.0~26.4	5.20	2750	32.0	1130	22.44	0.88	70.0	2400
AGE28080B48M	B	48	28.0~56.0	2.60	2750	32.0	1130	22.44	0.88	70.0	2400

*Bearing system B: Two Ball Bearing F: Fluid Bearing S: Sleeve Bearing



unit:mm